

PHD779 Lift Scale

» Quick Guide

METTLER TOLEDO

1»

Before Installing



WARNING: Permit only qualified personnel to install or service the equipment. Use a forklift or crane to lift the scale.



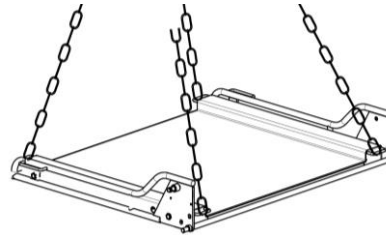
WARNING: Use extreme caution when lifting and moving the scale. Do not attempt to lift the scale manually, or injury could occur.

- ① Installation site requirements:
 - Level floor
 - Adequate support for rated capacity of scale
 - No vibration or drafts
 - No excessive temperature fluctuations
- ② Tools: Forklift or crane, Lifting straps or chains, Hammer drill and concrete drill bit, Open-end wrench (16mm), Hex wrench (10mm)
- ③ Terminal: Before connecting to the scale, verify that the application is set to "Floor".

2»

Position the Scale

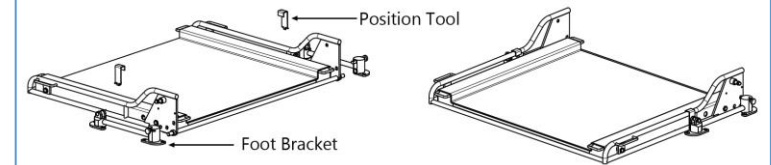
- ① Attach chains or straps to the 4 handles. Lift up the scale (platform and frame) with appropriate equipment.
- ② Place the scale on the installation site.



3»

Mark the Position of Anchor Holes

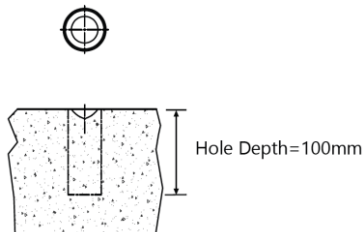
- ① Place the foot brackets on both sides of the frame.
- ② Use the position tool to locate the foot brackets.
- ③ Mark the positions of the eight anchor holes of foot brackets with a center punch.



4»

Drill the Anchor Holes

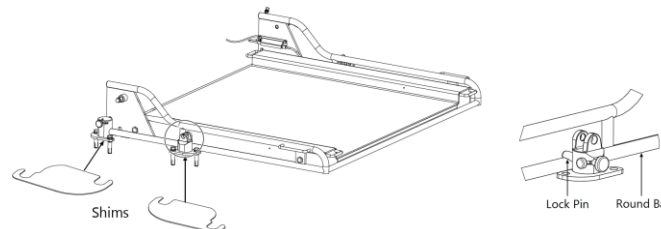
- ① Remove the foot brackets from the lifting frame.
- ② Drill anchor holes at the marked position by using the $\Phi 16\text{mm}$ hammer drill to a depth appropriate to the anchor bolts being used.



5»

Adjust the Scale

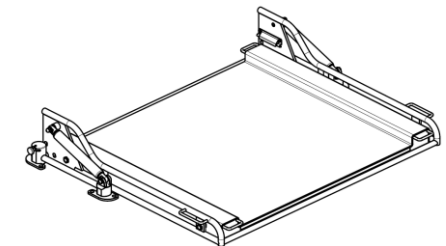
- ① Place the scale on the installation site again. Make sure the lock pins are in the locked position.
- ② If needed, add shims to adjust the scale. Make sure that no gaps between foot brackets and ground.
- ③ For scale sizes 1500×1250 and 1500×1500 , shim the front foot if needed to make sure the lock curve face has minimal clearance to the round bar.



6»

Bolt the Scale to the Floor

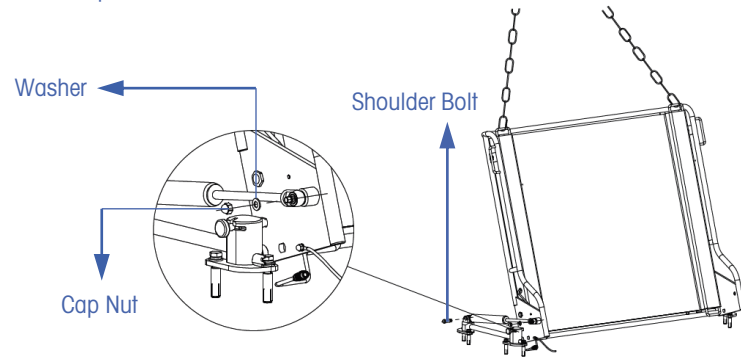
- ① Clean each hole.
- ② Secure the foot brackets to the ground by installing the anchors and hexagon bolts (8xM12).



7»

Install the Gas Springs

- 1 Attach chains or straps to the 2 handles. Lift up the scale and lock the frame by lock pins.
- 2 Mount the gas spring to the front end of the foot brackets with shoulder bolts.
- 3 Secure the gas spring to the frame with washers and cap nuts.
- 4 Remove the chains or straps.

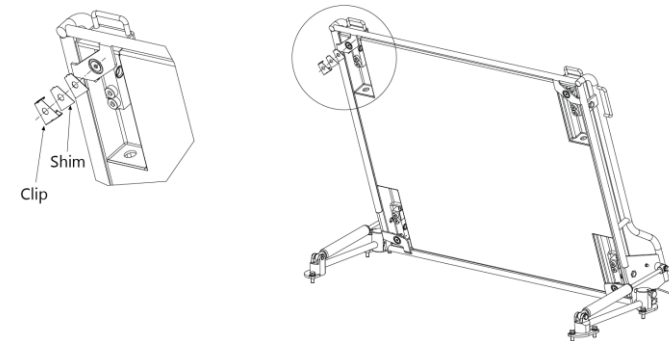


If you are installing an Ex version of PHD779 lift scale in a hazardous area, please continue reading with the follows.

8»

Level the Scale

- 1 Check whether there is a gap between the 4 corners of the frame and ground. Lift the platform and lock it with safe lock pin. Add a clip to fill the gap. If needed, add shims to the clip.
- 2 Connect the scale to the terminal with a home-run cable. Connect the terminal to a power source, and power up the terminal. At the "Use Factory Calibration?" prompt, enter "Yes". Enter the local GEO value. Shim under the corners of the scale frame as needed until the number of counts shown for each corner equals zero (within $\pm 5,000$).



Special Condition of Use

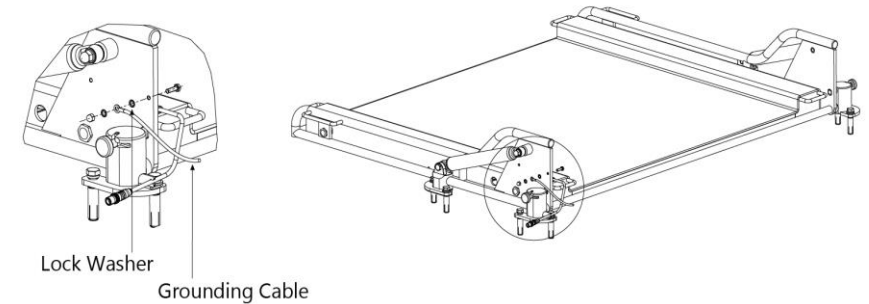
The following special condition of use for load cells must be fulfilled with for the Ex version of PHD779 static scale:

- The load cell shall be installed in such a way that the risk for mechanical damage is low.
- The equipment shall only be used in an area of not more than pollution degree 2, as defined in IEC 60664-1.

Equipotential Bonding

Grounding connections must be installed by a professional electrician when using the Ex version of PHD779 lift scale in a hazardous area. METTLER TOLEDO Service only has a monitoring and consulting function here.

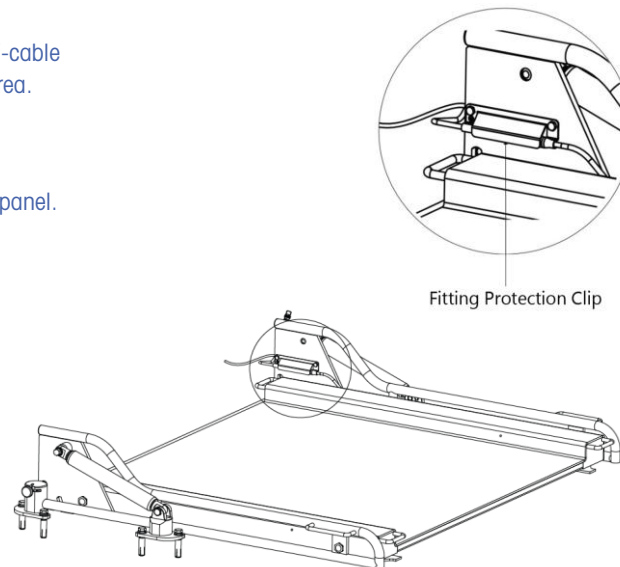
1. Insert M6 hex head bolt from the inside of the frame into the hole refer to figure below.
2. On the outside of the frame, put the lock washer and grounding cable on the bolt in turn.
3. Secure grounding cable with cap nut.
4. Connect the other end of the grounding cable to the customer's grounding.



Install Fitting Protection Clip

The Ex version of PHD779 lift scale provides fitting protection clip to protect the Y-cable and the home-run cable connection when the scale is installed in a hazardous area.

1. Connect the Y cable to the home-run cable.
2. Align the holes for the fitting protection clip with the holes for the frame side panel.
3. Attach the clip with two M6 bolts.
4. Tighten the other end of the bolt with M6 plan washer and M6 cap nut.



Compliance Document Download:

National approval documents, e.g., the FCC Supplier Declaration of Conformity, are available online and/or included in the packaging.

► www.mt.com/ComplianceSearch

Contact Information: www.mt.com/contact

© 2023 Mettler-Toledo LLC

06/2023 30793788 A

